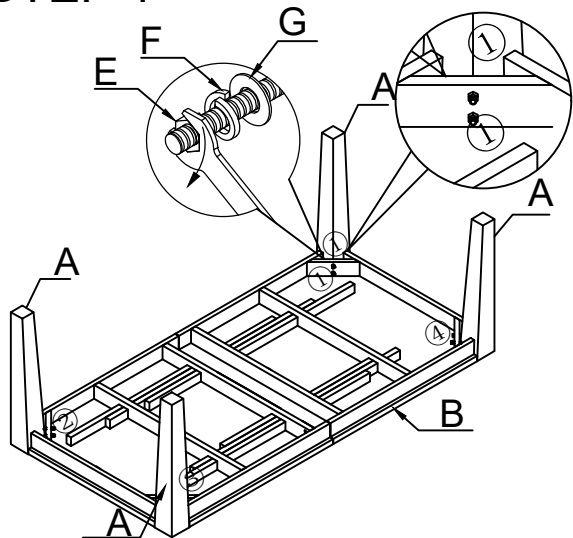
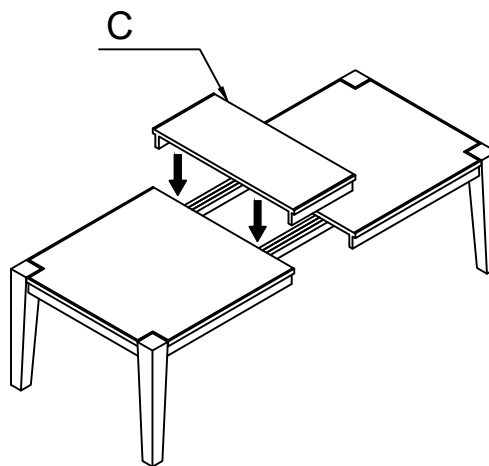


# Canal Extension Dining Table Assembly Instructions

## STEP 1

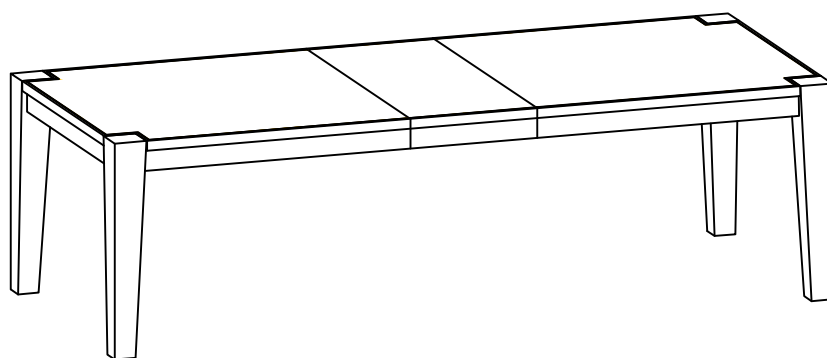




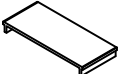




## STEP 2



Please assemble the feet according to number labels.

## FINISH



A	B	C	D	E	F	G
						
4pcs	1pc	1pc	1pc	8pcs	8pcs	8pcs